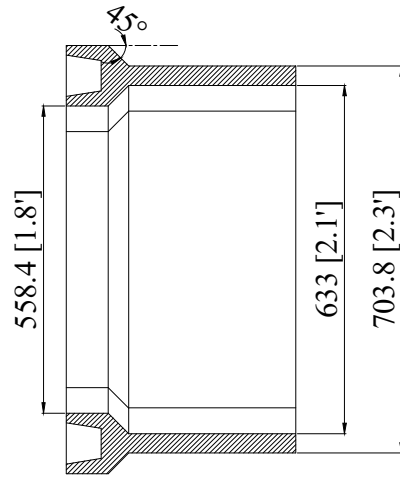
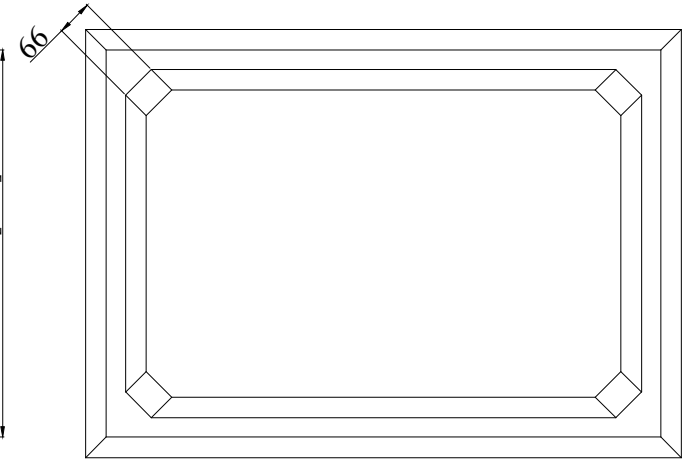


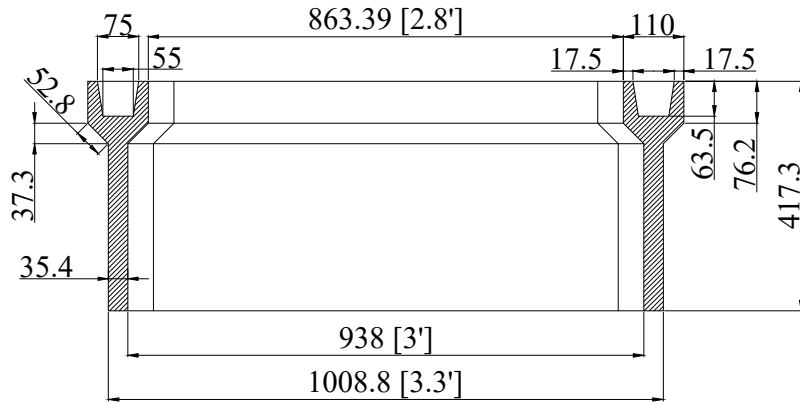
TOP VIEW



SECTION "B - B"



BOTTOM VIEW



SECTION "A - A"

	Drawn By	Drg. No.-	Material-
Name	TANUMOY	SMART SEPTIC TANK	CONCRETE
Date	06.06.2024	Drawing Description-	
Scale.- NTS	Sheet.- 1 OF 1	SINGLE PIECE SEPTIC TANK	
All Dimensions are in mm			